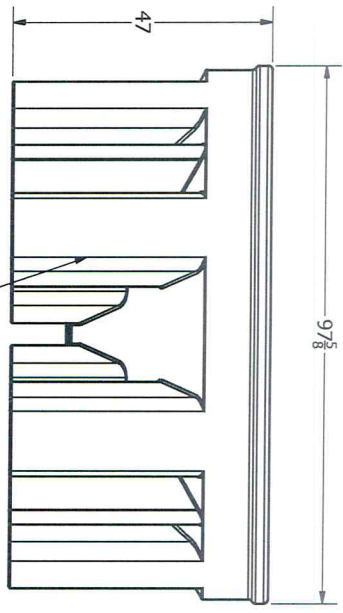


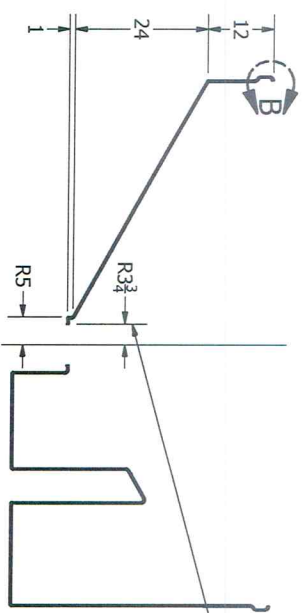
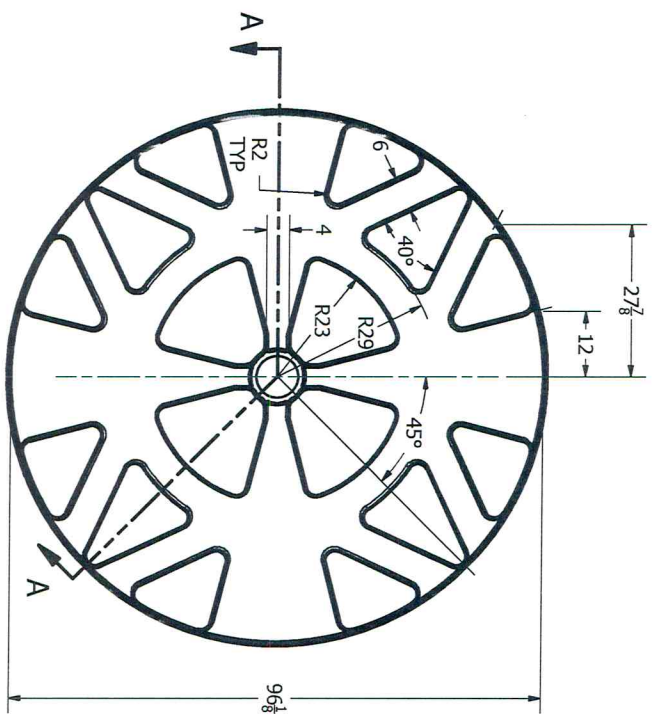
REVISION HISTORY		DATE	AUTHOR
REV	DESCRIPTION		
A	REDRAWN	1/10/1997	
B	REDRAWN	7/23/2013	Michael Holden

DRAWN	Jerry Paulson	1/10/1997	
CHECKED			
QA			
MFG			
APPROVED			

TITLE		NORWESCO, INC. SAINT BONIFACIUS, MN	
2500 GALLON CONE BOTTOM TANK			
SIZE	B	DWG NO	
SCALE:	1/16		
SHEET 1 OF 1		REV	B

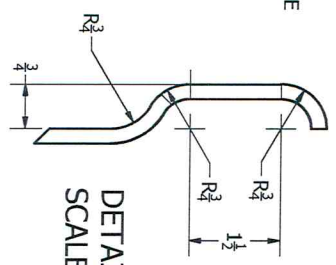


NOTE: 1/2 DEG. TAPER ON ALL LEGS EXCEPT AT OUTSIDE CIRCUMFERENCE

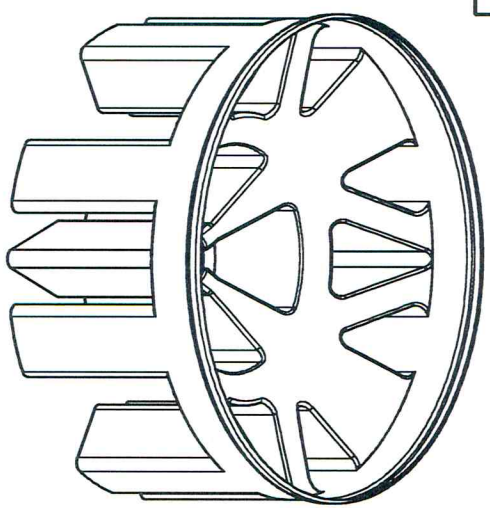


NOTE: PROVIDE 1/4" KNIFE EDGE FOR 7 1/2" DIA. CUTOUT

SECTION A-A
SCALE 1:22



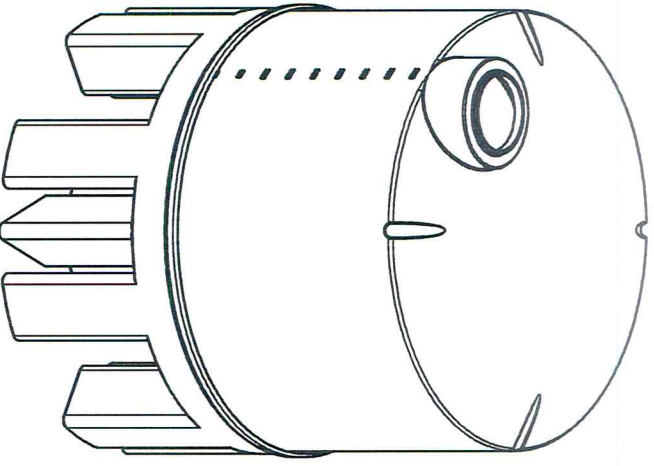
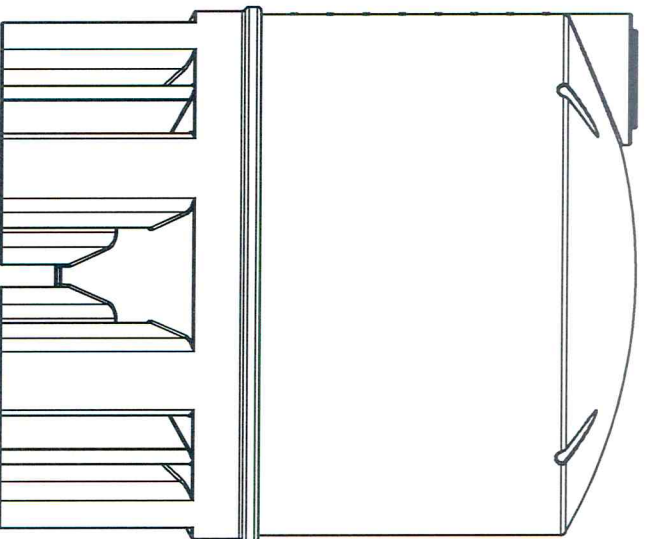
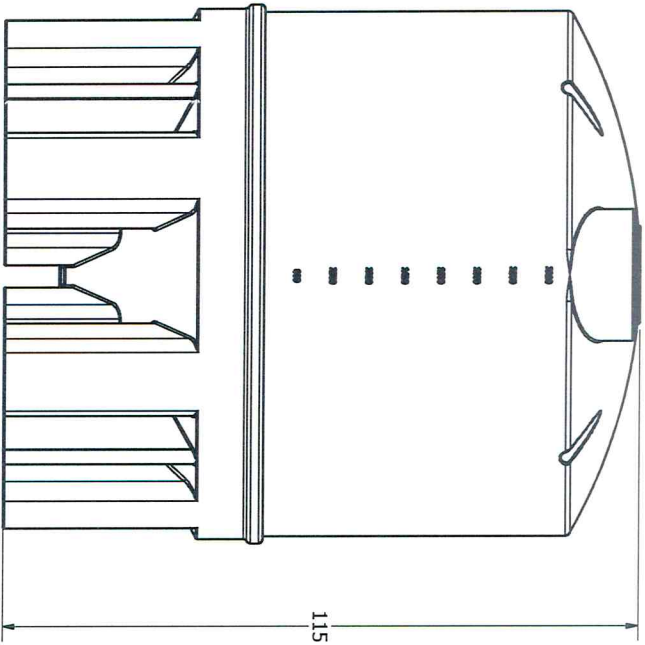
DETAIL B
SCALE 1:2



REVISION HISTORY			
REV	DESCRIPTION	DATE	AUTHOR
A	REVISED & REDRAWN	4/3/1994	
B	REDRAWN	7/24/2013	Michael Holden

DRAWN	Jerry Paulson	4/3/1994	
CHECKED			
QA			
MFG			
APPROVED			

		NORWESCO, INC. SAINT BONIFACIUS, MN	
2500/3000 GALLON CONE BOTTOM STAND			
SIZE	DWG NO	SCALE: 1/16	SHEET 1 OF 1
B			
REV	B		



REVISION HISTORY			
REV	DESCRIPTION	DATE	AUTHOR
A	REDRAWN	7/25/2013	Michael Holden
	DRAWN Jerry Paulson	7/24/2003	
	CHECKED		
	QA		
	MFG		
	APPROVED		
NORWESCO NORWESCO, INC. SAINT BONIFACIUS, MN TITLE 2500 GALLON CONE BOTTOM TANK & STAND			
SIZE	DWG NO	REV	
B		A	
SCALE: 1/16		SHEET 1 OF 1	