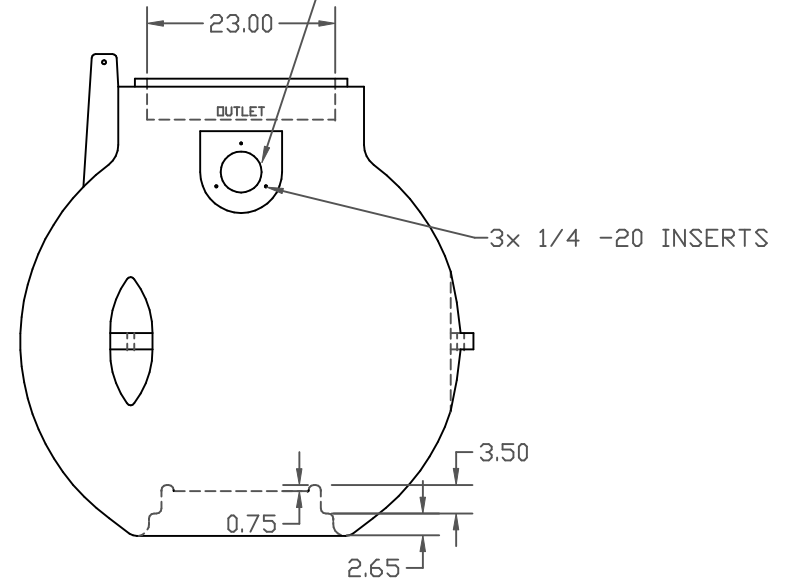
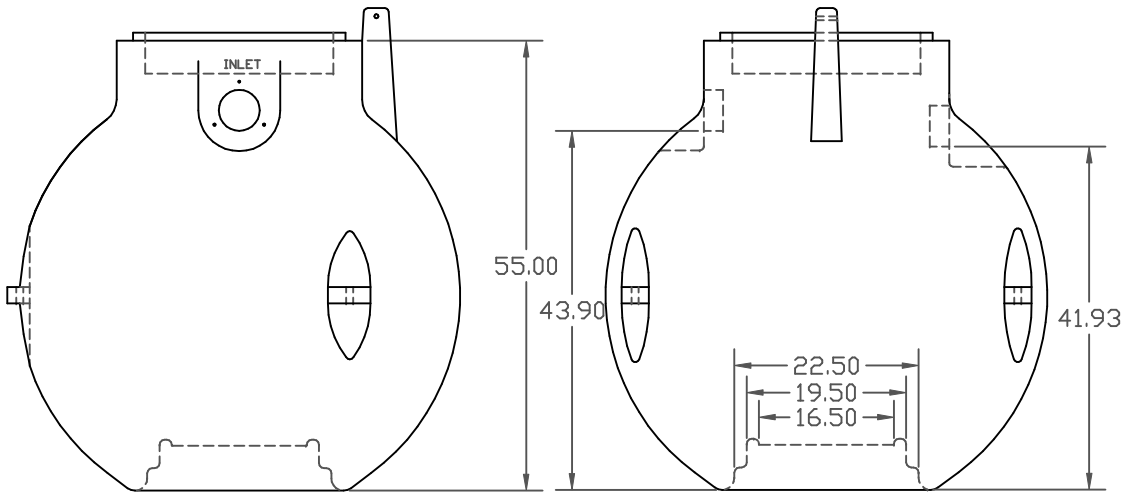

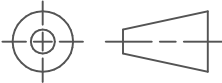


- GASKET HUB
- # 10084 4 INCH SCH 40 GASKET
- # 10078 SANITARY GASKET
- # 19217 STABILIZER



		DRAWN /DATE DHJ 3/17/04		MATERIAL / SHOT WEIGHT 120 LBS. YELLOW		 Ace Roto-Mold A DIVISION OF DEN HARTOG INDUSTRIES, INC.	
		APPRD. /DATE ADH 11/20/07		NOTES:			
REV	DESCRIPTION	DATE	APPRD.	THIRD ANGLE PROJECTION ANSI 14.5M		CLIENT / DESCRIPTION 300 GALLON PUMP TANK	
ALL DIMENSIONS ARE IN DECIMAL INCHES TOLERANCES UNLESS OTHERWISE SPECIFIED ±1% @ 68° F						SCALE NONE	PART NO. AST-0300-1