

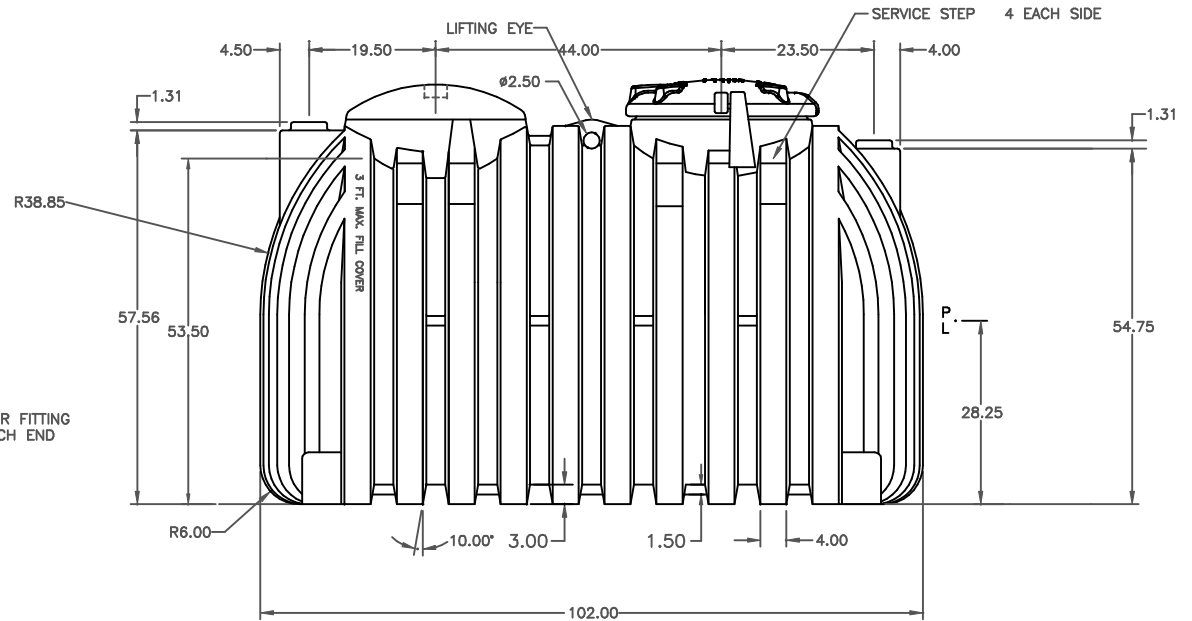
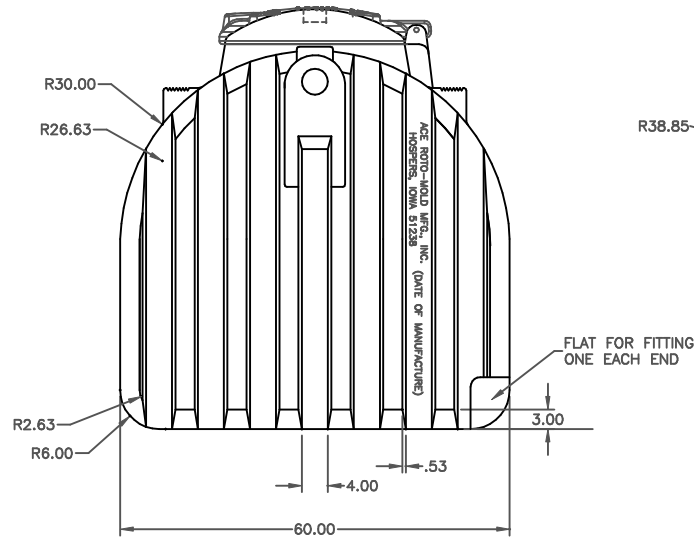
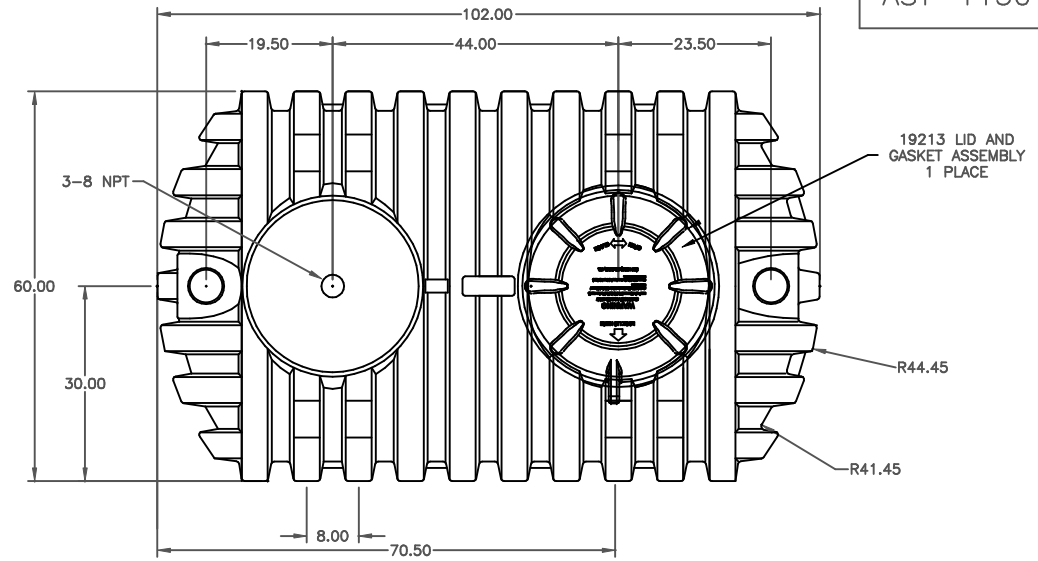
PROPRIETARY DATA

PROPERTY OF ACE ROTO-MOLD MFG., INC. INFORMATION FURNISHED HEREIN IS THE PROPERTY OF ACE ROTO-MOLD MFG., INC. AND SHALL NOT BE USED, DISCLOSED TO OTHERS, OR COPIED WITHOUT THE EXPRESSED WRITTEN CONSENT OF ACE ROTO-MOLD MFG., INC. ALL RIGHTS RESERVED.


AST-1150-1W

C

A REFERENCE PUBLICATION 10039 FOR SEPTIC TANKS OR PUBLICATION 10149 FOR CISTERN TANKS FOR SPECIFIC INSTALLATION GUIDELINES.



C	CHANGE TO ONE LID	1/26/06 DHJ	DRAWN / DATE	MATERIAL EXON MOBIL 8661 HDPE REFERENCE MATERIAL DATA SHEET FOR SPECIFIC PROPERTIES.
B	CHANGE WEIGHT WAS 390	9/7/05 DHJ	DHJ / 6/10/04	
A	ADDED PUBLICATION REF	9/30/05 NVE	APPRD. / DATE	
REV	DESCRIPTION	DATE	APPRD.	ADH / 11/6/07
ALL DIMENSIONS ARE IN DECIMAL INCHES TOLERANCES UNLESS OTHERWISE SPECIFIED $\pm .5\% @ 68^\circ F$				NOTES: 1. NOM. WALL @ .250 2. NATURAL COLOR 3. SHOT WEIGHT 414 LBS.
THIRD ANGLE PROJECTION ANSI 14.5M				



Ace Roto-Mold
A DIVISION OF DEN HARTOG INDUSTRIES, INC.
4018 HWY. 60 BLVD., BOX 421, HOOSPERS, IOWA 51238

CLIENT / DESCRIPTION: 1150 GAL. CISTERN TANK

SCALE: N.S. PART NO.: AST-1150-1W