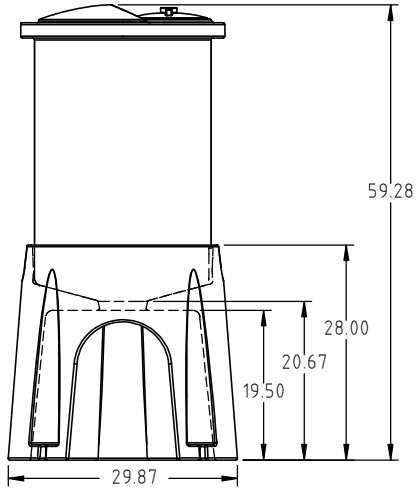
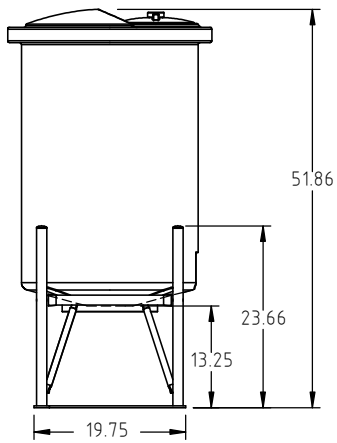


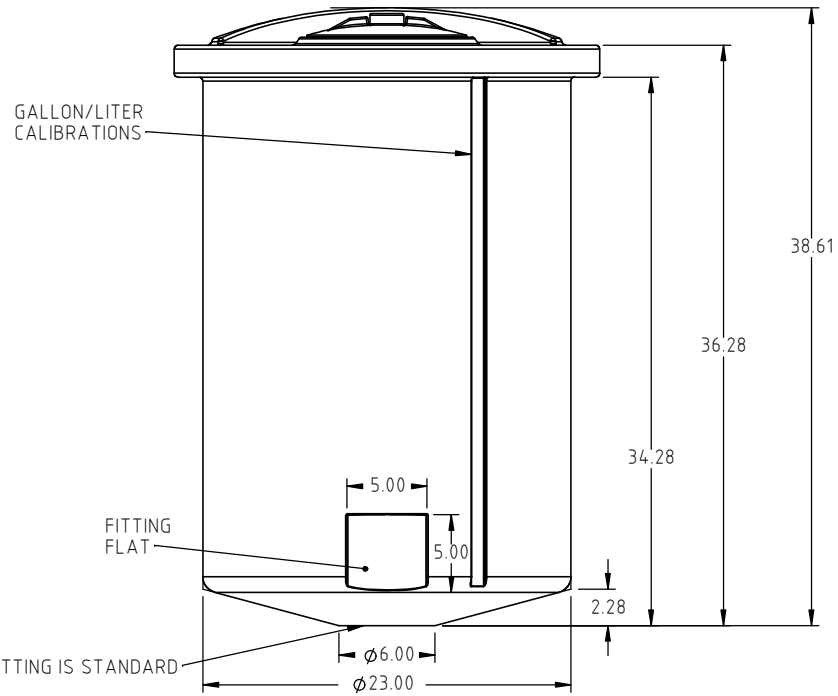
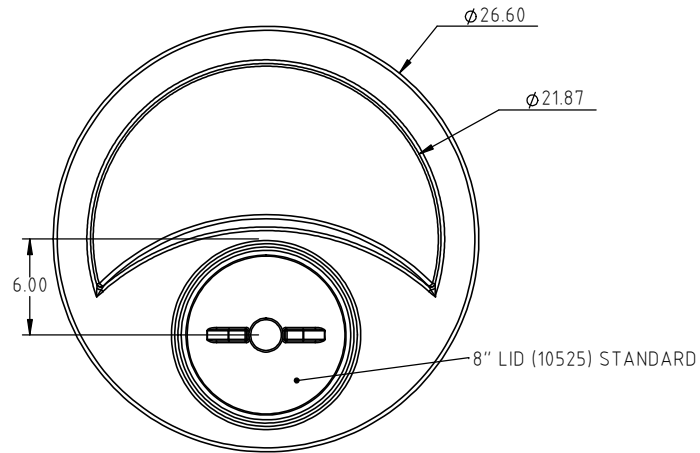
Copyright. All information furnished within this document, electronic file or design correspondence is the property of Den Hartog industries, Inc. and shall not be used, disclosed to others or copied without the expressed written consent of Den Hartog Industries, Inc.



OC023-STP POLY STAND




CB023-15ST METAL STAND



1 1/2" FITTING IS STANDARD

REV	DESCRIPTION	BY / DATE	CCN	DRAWN / DATE ADH 7/12/10	MATERIAL 10420
				APPRD. / DATE REH 4/18/11	
				SHOT WEIGHT: 24.00 LBS	NOTES: 1.) 0.19 WALL THICKNESS
				SHIPPING WEIGHT: 26.00 LBS	
				FINISH:	



Den Hartog
INDUSTRIES, INC.

Acra Roto-Mold Injection Molding Blow Molding Sowjoy

4010 HOSPERS DRIVE S. BOX 425, HOSPERS, IOWA 51238-0425

DESCRIPTION: 23" DIA. X 55 GALLON CONE BOTTOM

SCALE: N.S. PART NO. CB0055-23

ALL DIMENSIONS ARE IN DECIMAL INCHES TOLERANCES UNLESS OTHERWISE SPECIFIED

POLYETHYLENE METAL
DECIMAL ± .125"
FRACTION ± 1/4"
ANGLE ± 1°

THIRD ANGLE PROJECTION
ANSI 14.5M

