

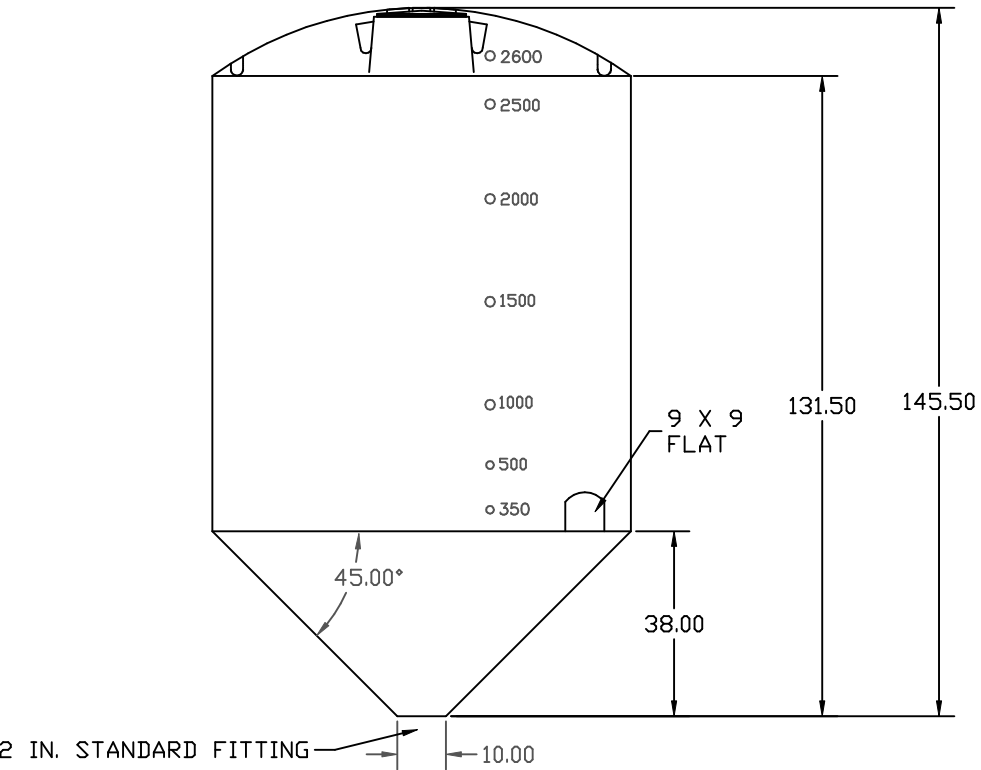
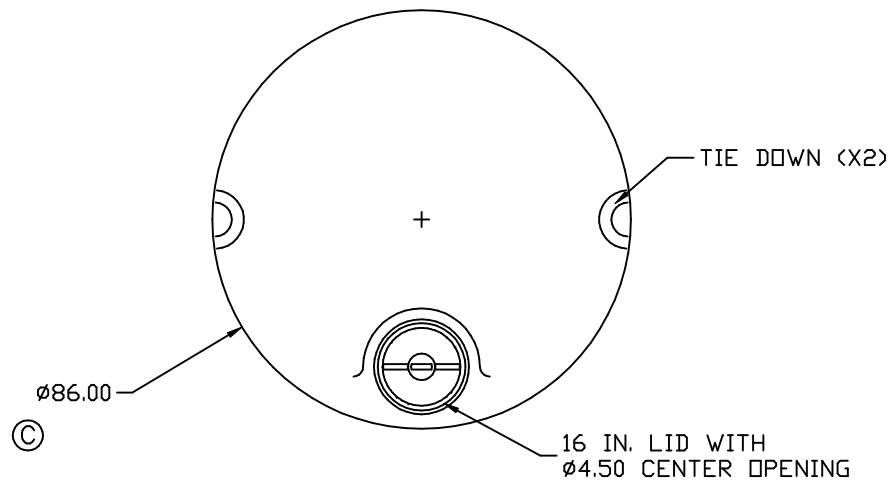
PROPRIETARY DATA

CB2600-86

C

PROPERTY OF DEN HARTOG INDUSTRIES, INC. INFORMATION FURNISHED HEREIN IS THE PROPERTY OF DEN HARTOG INDUSTRIES, INC. AND SHALL NOT BE USED, DISCLOSED TO OTHERS, OR COPIED WITHOUT THE EXPRESSED WRITTEN CONSENT OF DEN HARTOG INDUSTRIES, INC. ALL RIGHTS RESERVED.

1. SPECIFIC GRAVITY IS 1.75
2. 1 PIECE ROTATIONALLY MOLDED
3. TRANSLUCENT
4. FDA APPROVED RESIN
5. CALIBRATED IN GALLONS
6. THREE YEAR WARRANTY
7. UV STABILIZED
8. MIXER OR PUMP MOUNT ON REQUEST



C	DIAMETER WAS 85	7/31/06	NVE	DRAWN / DATE	MATERIAL
B	UPDATED DIMENSIONS	7/13/06	NVE	DHJ 12/9/93	
A	ISOLATED TANK AND STAND	6/13/06	NVE	APPRD. / DATE	HDPE OR EQUIVALENT REFERENCE MATERIAL DATA SHEET FOR SPECIFIC PROPERTIES.
REV	DESCRIPTION	DATE	APPRD	REH 4/18/07	
ALL DIMENSIONS ARE IN DECIMAL INCHES TOLERANCES UNLESS OTHERWISE SPECIFIED $\pm 1\% @ 68^\circ F$				THIRD ANGLE PROJECTION ANSI 14.5M	NOTES: 1. NOM. WALL $\phi 0.369$ 2. SHOT WEIGHT 500 LBS.



**ACE ROTO-MOLD**

A DIVISION OF DEN HARTOG INDUSTRIES, INC.  
4010 HWY. 60 BLVD, BOX 425, HOSPERS, IOWA 51238

CLIENT / DESCRIPTION  
**2600 Gallon  $\phi 86$  CONE BOTTOM TANK**

SCALE  
N.S.

PART NO.  
CB2600-86