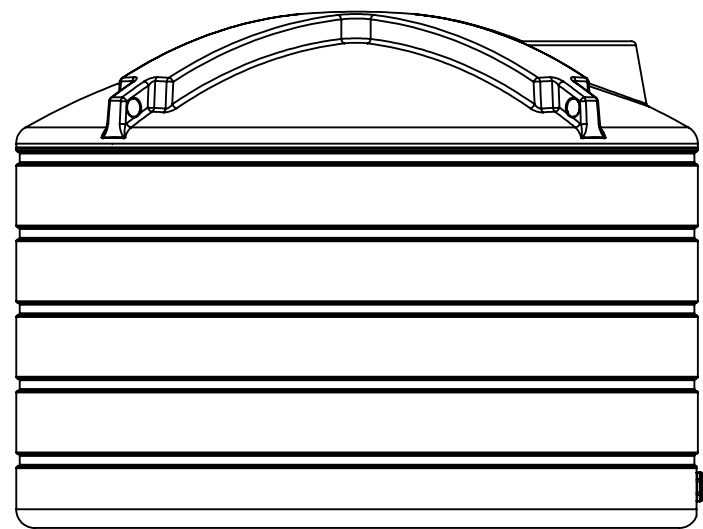
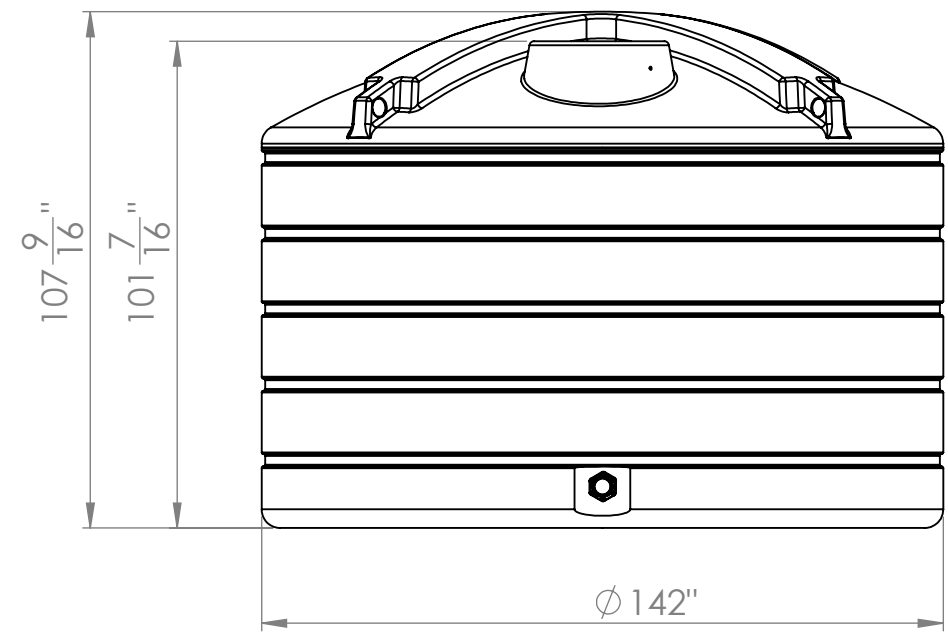
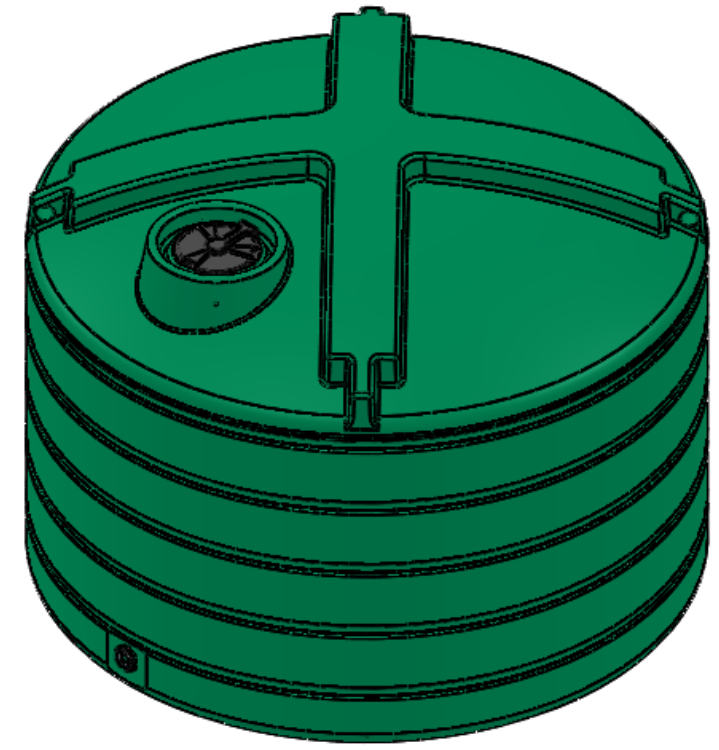
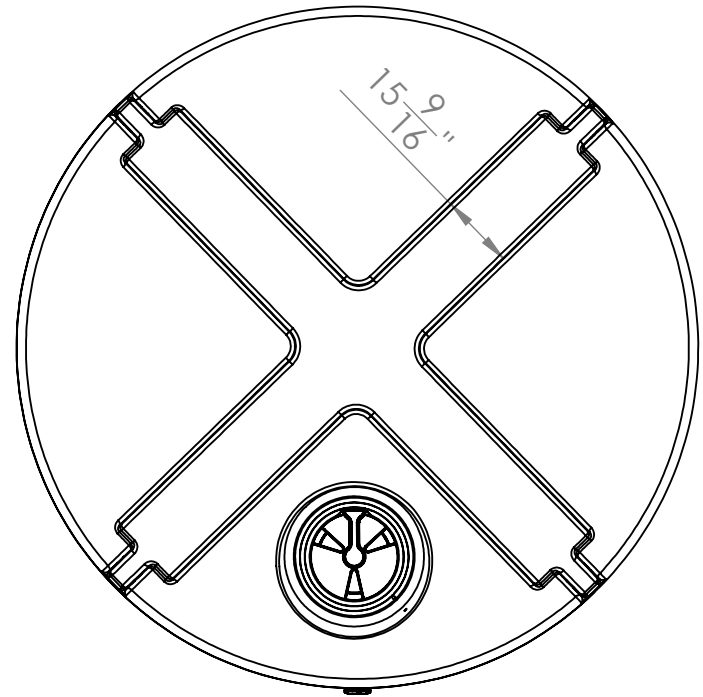


8 7 6 5 4 3 2 1



PROPRIETARY AND CONFIDENTIAL
 THE INFORMATION CONTAINED IN THIS DRAWING IS THE SOLE PROPERTY OF Agrimaxx, Enduraplas. ANY REPRODUCTION IN PART OR AS A WHOLE WITHOUT THE WRITTEN PERMISSION OF Agrimaxx, Enduraplas, IS PROHIBITED.

		UNLESS OTHERWISE SPECIFIED:		NAME	DATE	Enduraplas	
		DIMENSIONS ARE IN INCHES		DRAWN	DNS		
		TOLERANCES:		CHECKED		TITLE:	
		FRACTIONAL ±		ENG APPR.		EVT 6011 - 144 inch	
		ANGULAR: MACH ± BEND ±		MFG APPR.		SIZE	DWG. NO.
		TWO PLACE DECIMAL ±		Q.A.		B	
		THREE PLACE DECIMAL ±		COMMENTS:		REV	1
NEXT ASSY	USED ON	INTERPRET GEOMETRIC TOLERANCING PER:				SCALE: 1:100	
		MATERIAL				WEIGHT:	SHEET 1 OF 1
		FINISH					
APPLICATION		DO NOT SCALE DRAWING					

8 7 6 5 4 3 2 1