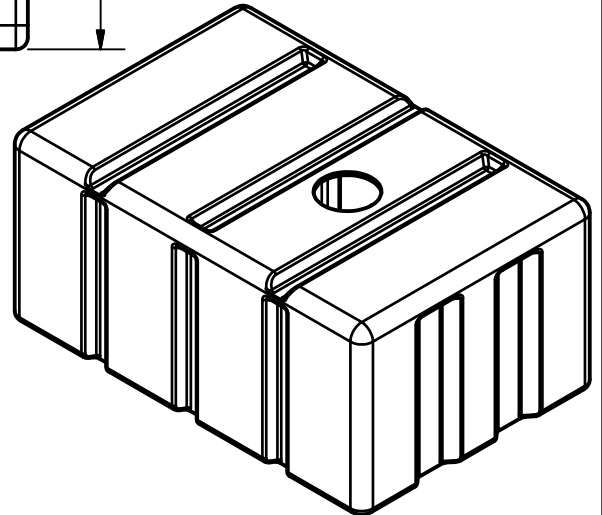



TWO HAND HOLDS
BOTH ENDS



DRAWN Jerry Paulson		1/18/2011		 NORWESCO NORWESCO, INC., ST. BONIFACIUS, MN			
CHECKED						TITLE	
QA				300 GALLON LOAF TANK			
MFG							
APPROVED							
		SIZE		DWG NO		REV	
		A					
		SCALE: 1/16				SHEET 1 OF 1	