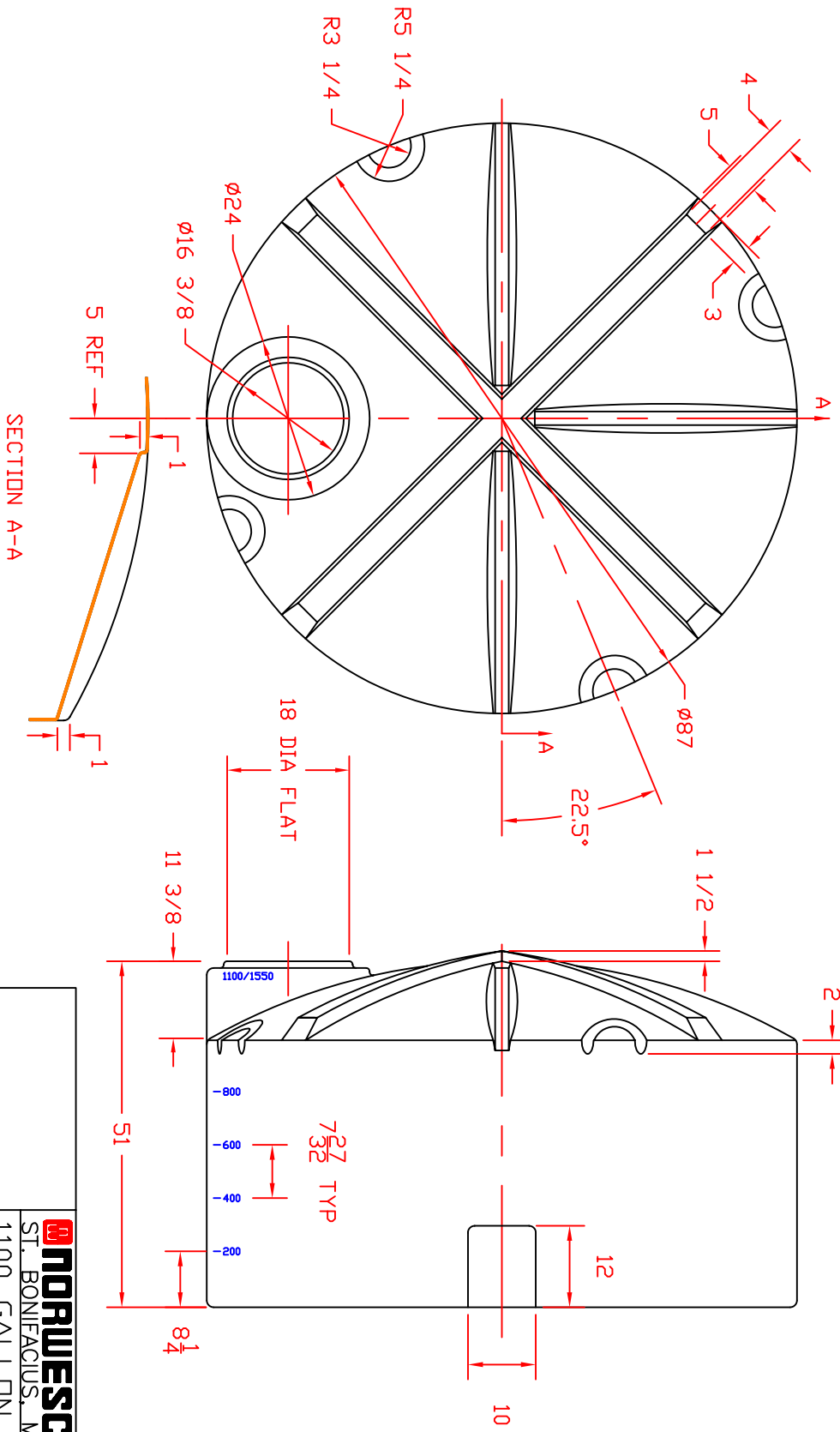


REVISIONS				
ZONE	REV	DESCRIPTION	DATE	APPROVED



		ST. BONIFACIUS, MN	
1100 GALLON VERTICAL TANK W/ GUSSET DOME			
JTP	05MAY03	SIZE	FSOM NO.
B		DWG NO.	
SCALE	1/16	SHEET	
REV			