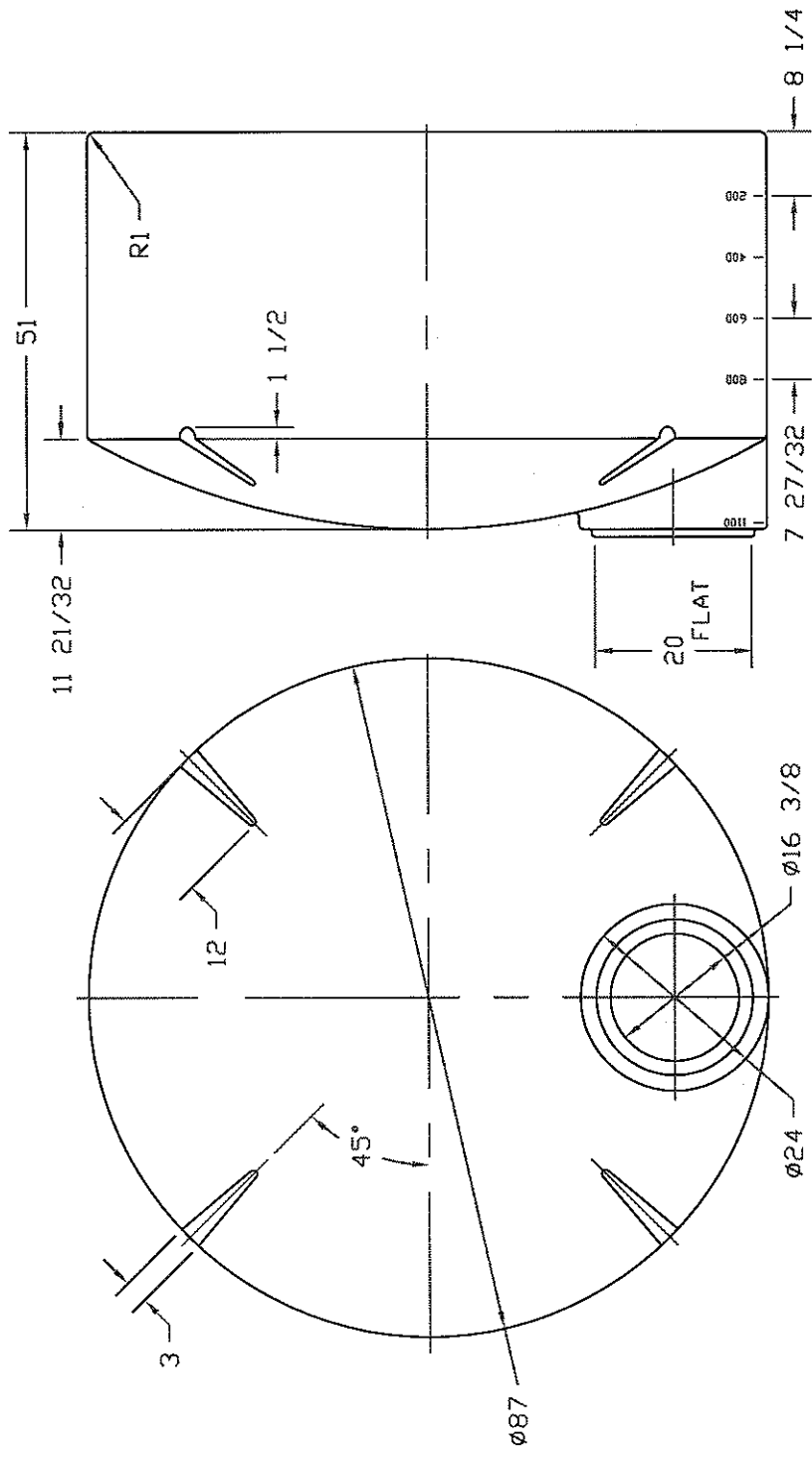


REVISIONS		
ZONE	REV	DESCRIPTION
	C	REDRAWN
		DATE
		02 JAN 97
		APPROVED



NORWESCO		ST. BONIFACIUS, MN	
1100 GALLON VERTICAL TANK		SCALE 1/16	
JTP	02JAN97	SIZE	FSCM NO.
		B	
		DWG NO.	C
		REV	C
		SHEET	