

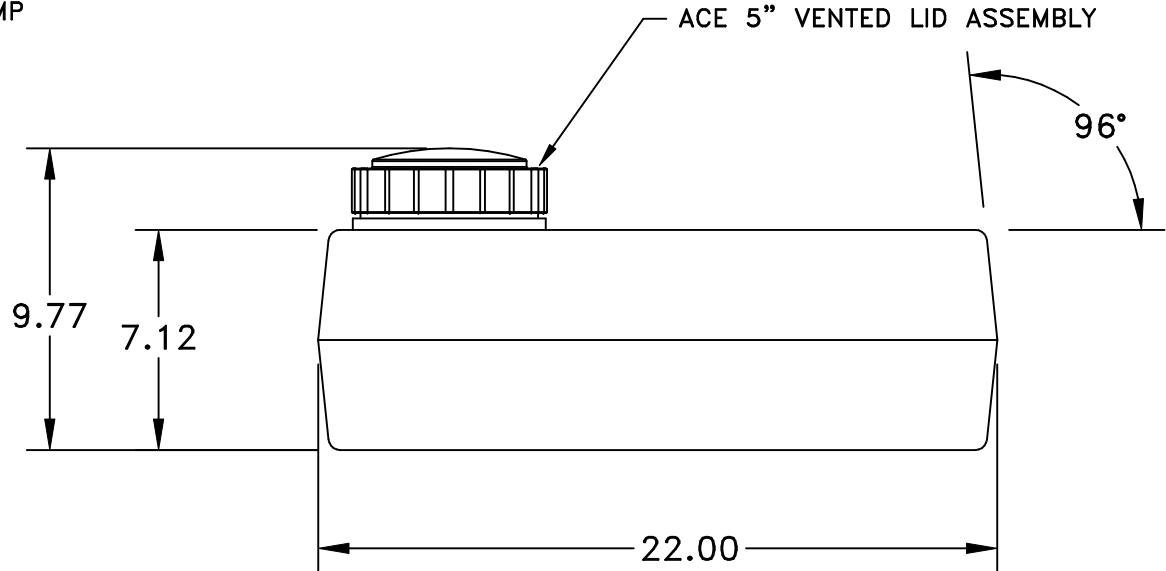
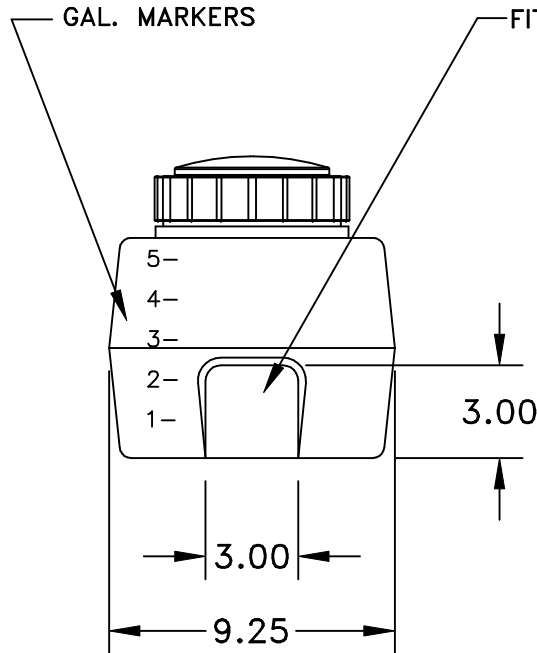
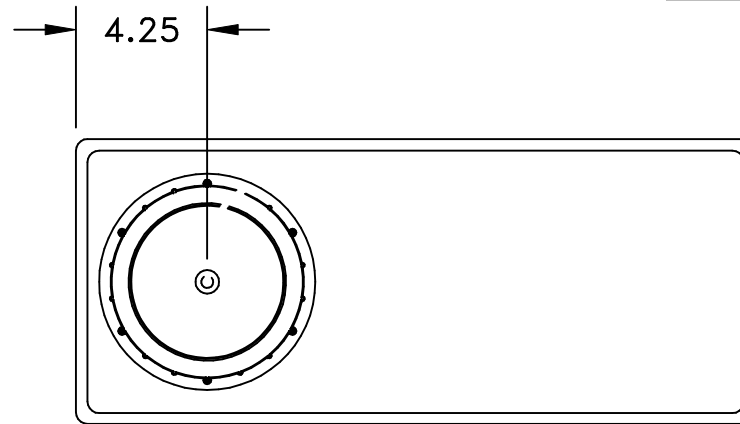
PROPRIETARY DATA

SP0005-RT

A

PROPERTY OF ACE ROTO-MOLD MFG., INC. INFORMATION FURNISHED HEREIN IS THE PROPERTY OF ACE ROTO-MOLD MFG., INC. AND SHALL NOT BE USED, DISCLOSED TO OTHERS, OR COPIED WITHOUT THE EXPRESSED WRITTEN CONSENT OF ACE ROTO-MOLD MFG., INC. ALL RIGHTS RESERVED.

NOTE: THIS PRODUCT IS NOT DESIGNED TO CONTAIN PETROLEUM PRODUCTS. CONSULT THE FACTORY REGARDING CHEMICAL COMPATABILITY



(A)

SHIPPING WEIGHT = 6LB.

		DRAWN / DATE REH/12/30/01		MATERIAL / SHOT WEIGHT		<b>ACE ROTO-MOLD</b> A DIVISION OF DEN HARTOG INDUSTRIES, INC.	
A		WAS 4LB. CCN1389	7/18/07	M111	M135 5 LB.		
REV		DESCRIPTION	DATE	APPRD. / DATE DHJ/12/30/01	NOTES:		CLIENT / DESCRIPTION
					1. NATURAL COLOR		ACE 5 GALLON RECTANGULAR TANK
ALL DIMENSIONS ARE IN DECIMAL INCHES TOLERANCES UNLESS OTHERWISE SPECIFIED $\pm 2\% @ 68^\circ F$				THIRD ANGLE PROJECTION ANSI 14.5M 		SCALE	PART NO.
						N.S.	SP0005-RT