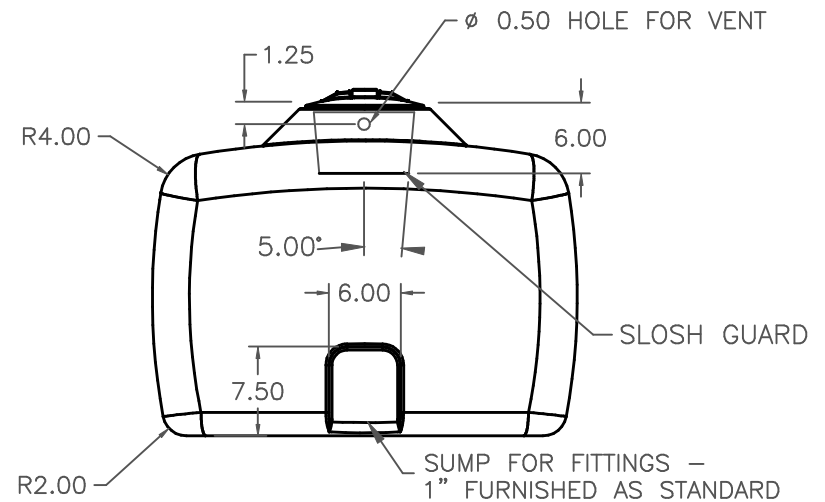
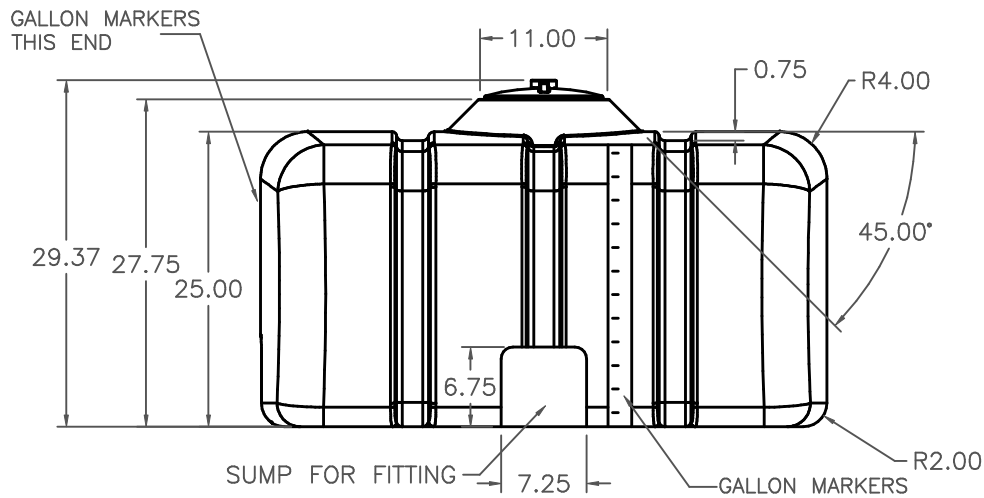
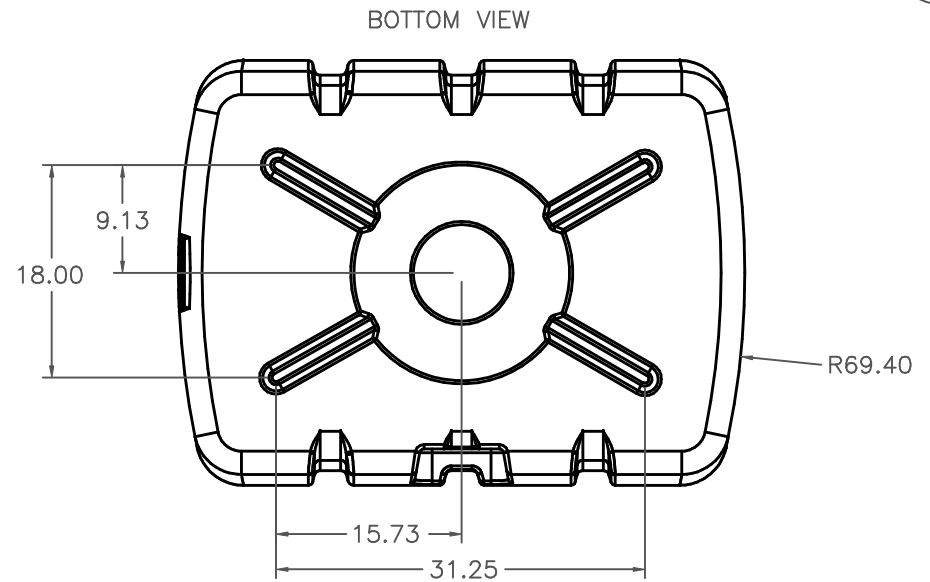
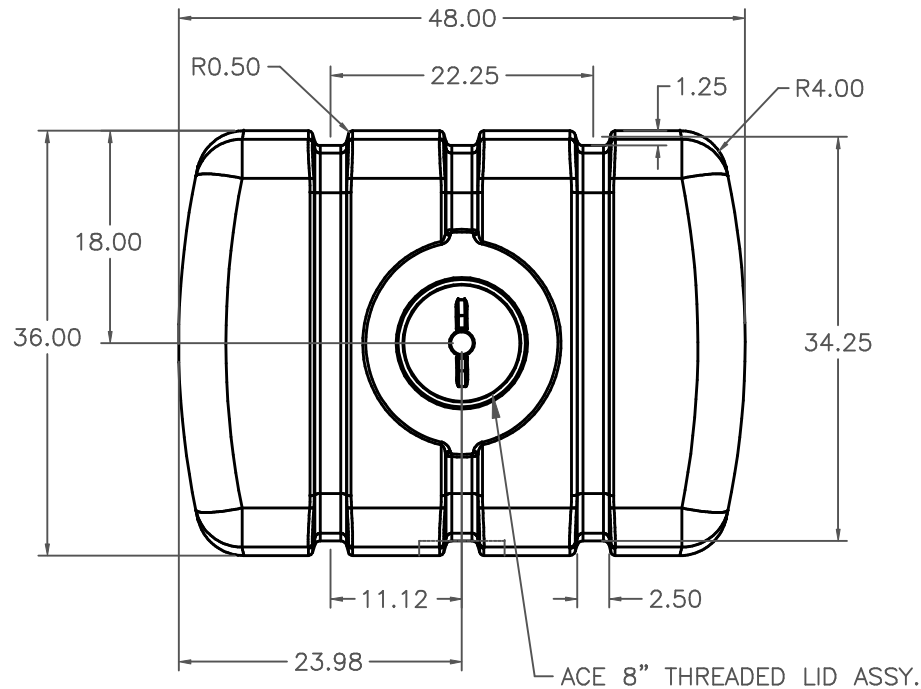


SP0150-RT

B



			DRAWN / DATE REH / 4/19/99	MATERIAL
B	CLARIFY SUMP LOCATION	2/14/07		60 LB. MOBIL 134
A	WEIGHT WAS 65 LB.	7/24/01	APPRD. / DATE REH / 4/19/99	
REV	DESCRIPTION	DATE	APPRD.	
ALL DIMENSIONS ARE IN DECIMAL INCHES TOLERANCES UNLESS OTHERWISE SPECIFIED ± .5% @ 68° F			THIRD ANGLE PROJECTION ANSI 14.5M 	NOTES: 1. NATURAL COLOR 2. NOM. WALL .210

ACE ROTO-MOLD A DIVISION OF DEN HARTOG INDUSTRIES, INC. 4018 HWY. 60 BLVD. BOX 421, HOSPERS, IOWA 51238	
CLIENT / DESCRIPTION 150 GAL. TANK	
SCALE N.S.	PART NO. SP0150-RT