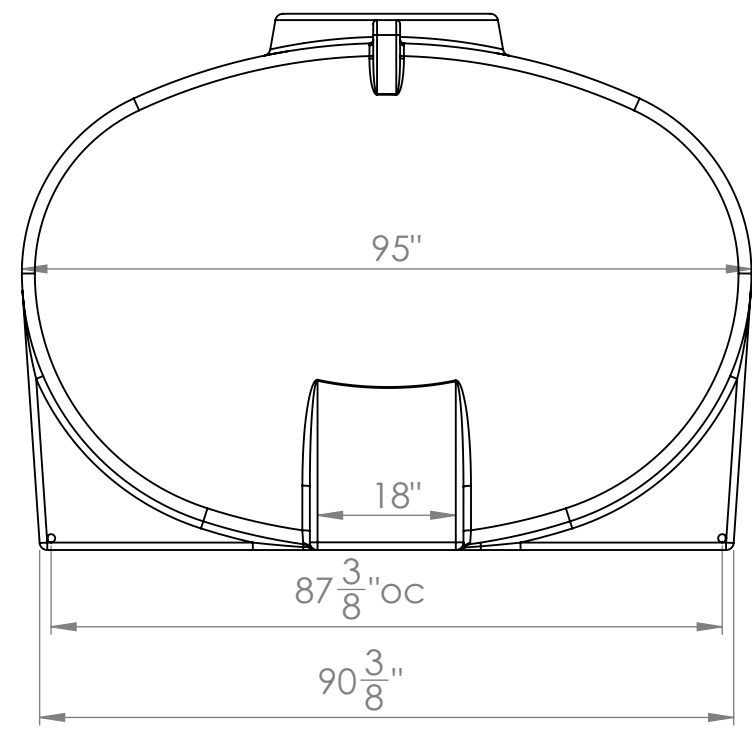


8 7 6 5 4 3 2 1

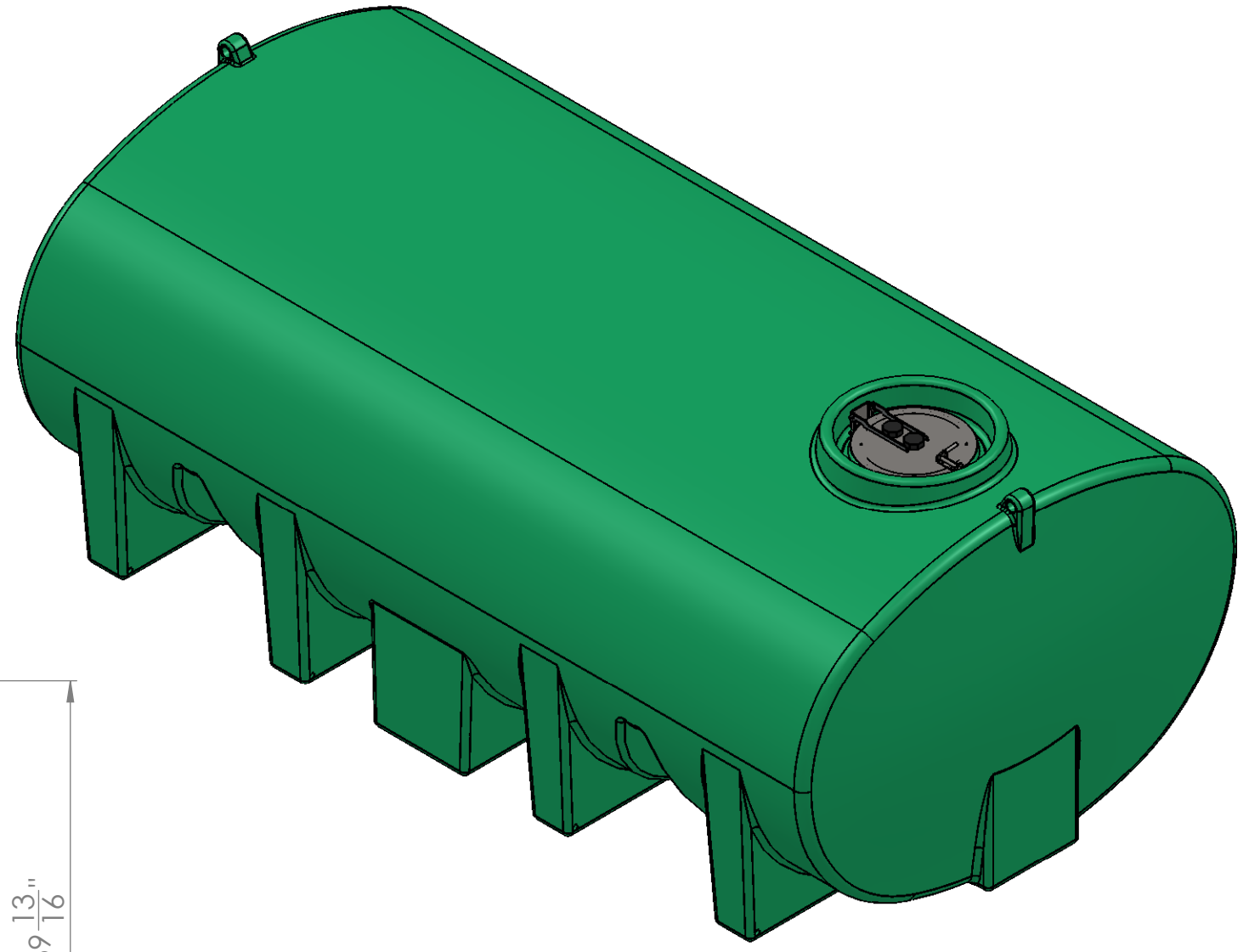
D

D



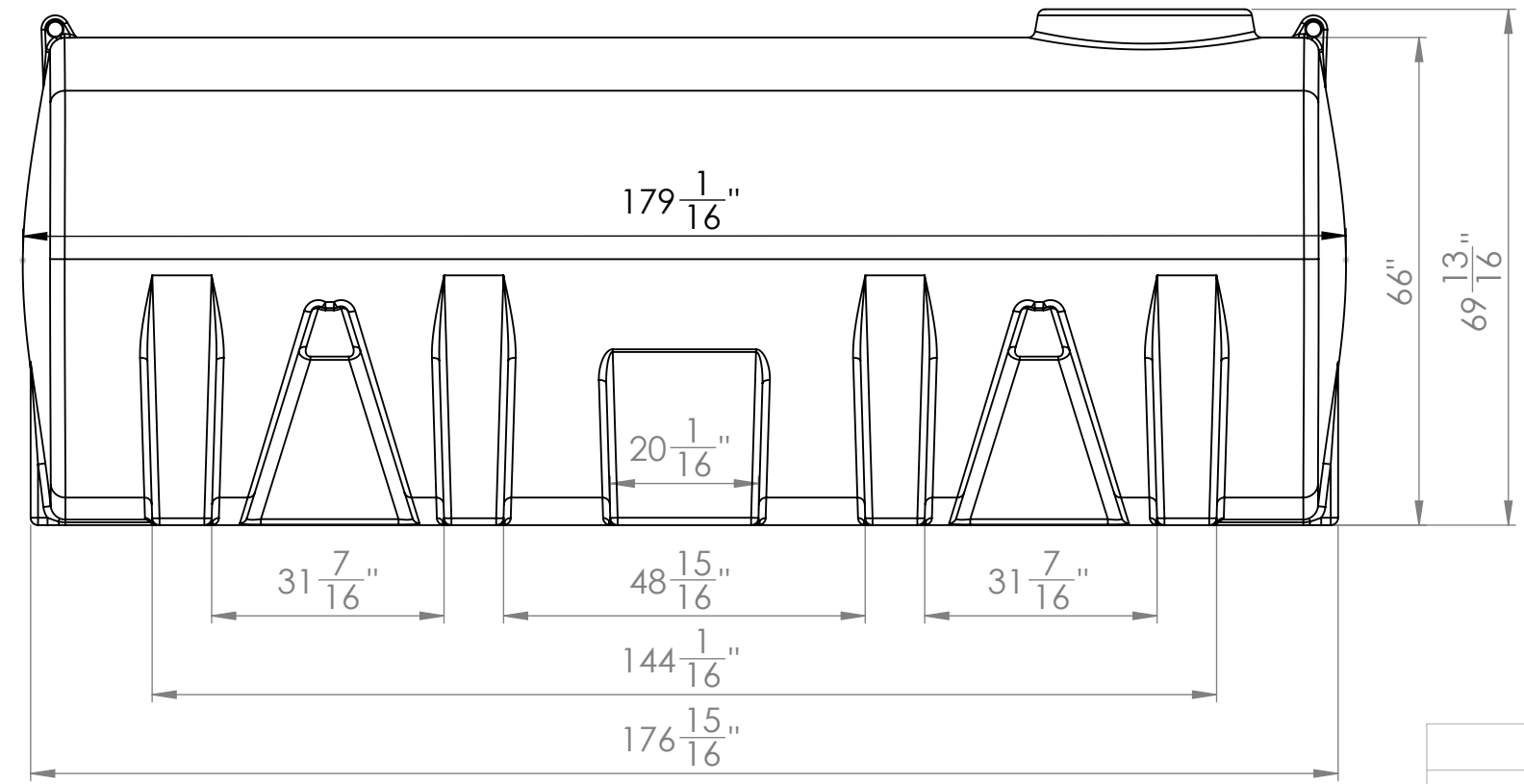
C

C



B

B



A

A

PROPRIETARY AND CONFIDENTIAL
 THE INFORMATION CONTAINED IN THIS DRAWING IS THE SOLE PROPERTY OF Agrimaxx, Enduraplas. ANY REPRODUCTION IN PART OR AS A WHOLE WITHOUT THE WRITTEN PERMISSION OF Agrimaxx, Enduraplas, IS PROHIBITED.

		UNLESS OTHERWISE SPECIFIED:				NAME		DATE	
		DIMENSIONS ARE IN INCHES		DRAWN		DNS		9/9/11	
		TOLERANCES:		CHECKED					
		FRACTIONAL ±		ENG APPR.					
		ANGULAR: MACH ± BEND ±		MFG APPR.					
		TWO PLACE DECIMAL ±		Q.A.					
		THREE PLACE DECIMAL ±		COMMENTS:					
		INTERPRET GEOMETRIC TOLERANCING PER:							
		MATERIAL							
		FINISH							
NEXT ASSY		USED ON							
APPLICATION		DO NOT SCALE DRAWING							
								Enduraplas	
								TITLE:	
								ST3500FS	
SIZE		DWG. NO.				REV			
B						1			
SCALE: 1:50						WEIGHT:		SHEET 1 OF 1	

8 7 6 5 4 3 2 1