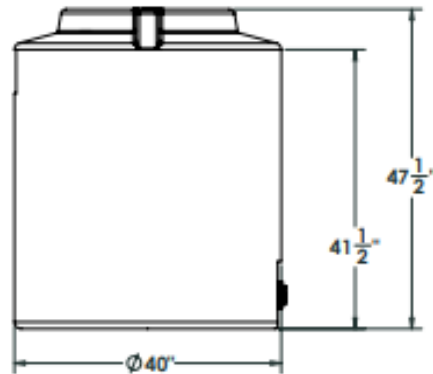


16 inch lid



2 inch threaded fitting



**NOTE: Allow +/- 1.5% Shrinkage**

<b>REVISIONS AND COMMENTS</b> ALL DIMENSIONS UNLESS OTHERWISE SPECIFIED ARE IN INCHES. UNLESS OTHERWISE SPECIFIED, DIMENSIONS ARE TO BE TAKEN TO THE CENTER OF THE DIMENSIONED FEATURE. DIMENSIONS ARE TO BE TAKEN TO THE CENTER OF THE DIMENSIONED FEATURE. DIMENSIONS ARE TO BE TAKEN TO THE CENTER OF THE DIMENSIONED FEATURE. DIMENSIONS ARE TO BE TAKEN TO THE CENTER OF THE DIMENSIONED FEATURE.		DATE	BY	APP'D	<b>ENDURAPLAS LLC</b> TEL:
		DATE	BY	APP'D	
DATE	BY	APP'D	<b>TLV00210</b>		SIZE DWG. NO. <b>C</b> SCALE: 1:16/RSQHE:
DATE	BY	APP'D	SHEET 1 OF 1		REV <b>1</b>