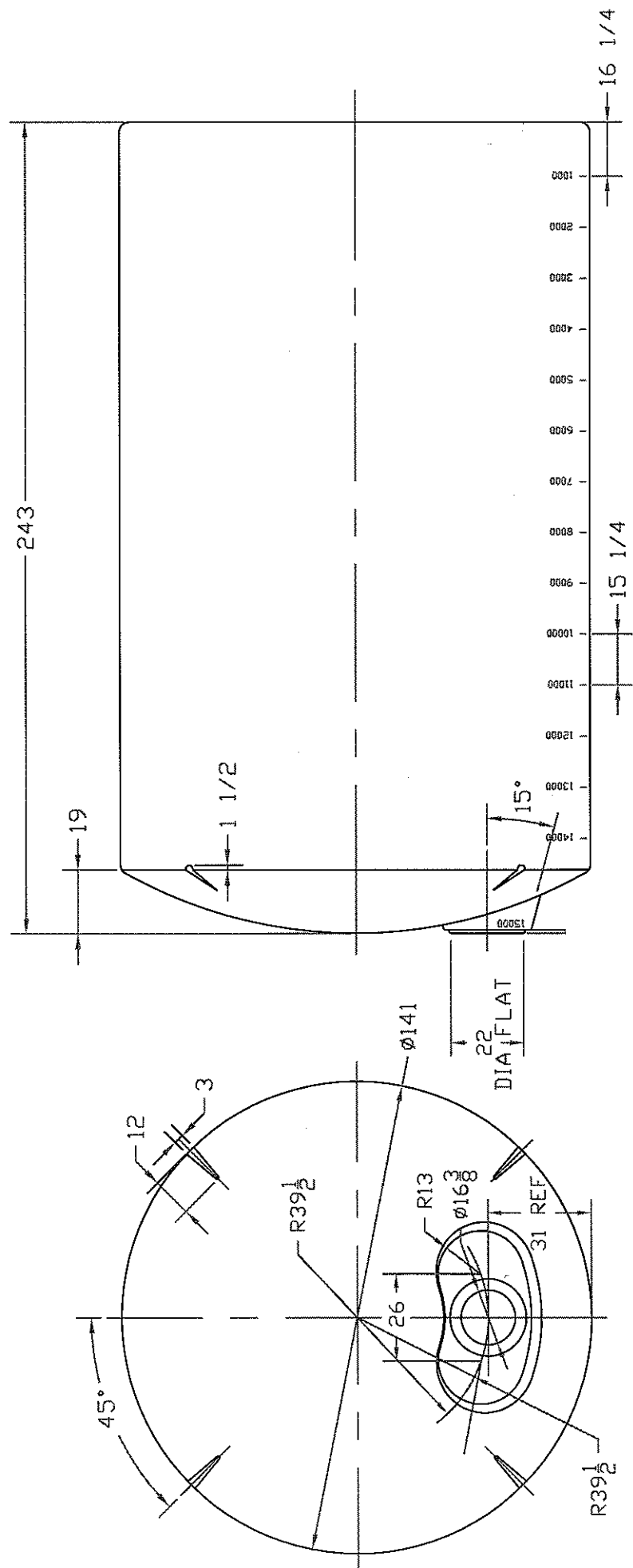


REVISIONS			
ZONE	REV	DESCRIPTION	DATE



NORWESCO
 ST. BONIFACIUS, MN
 15000 GALLON VERTICAL
 TANK

JTP	10JAN00	SIZE	FSCM NO.	DWG NO.	REV
		B			

SCALE 1/32 SHEET