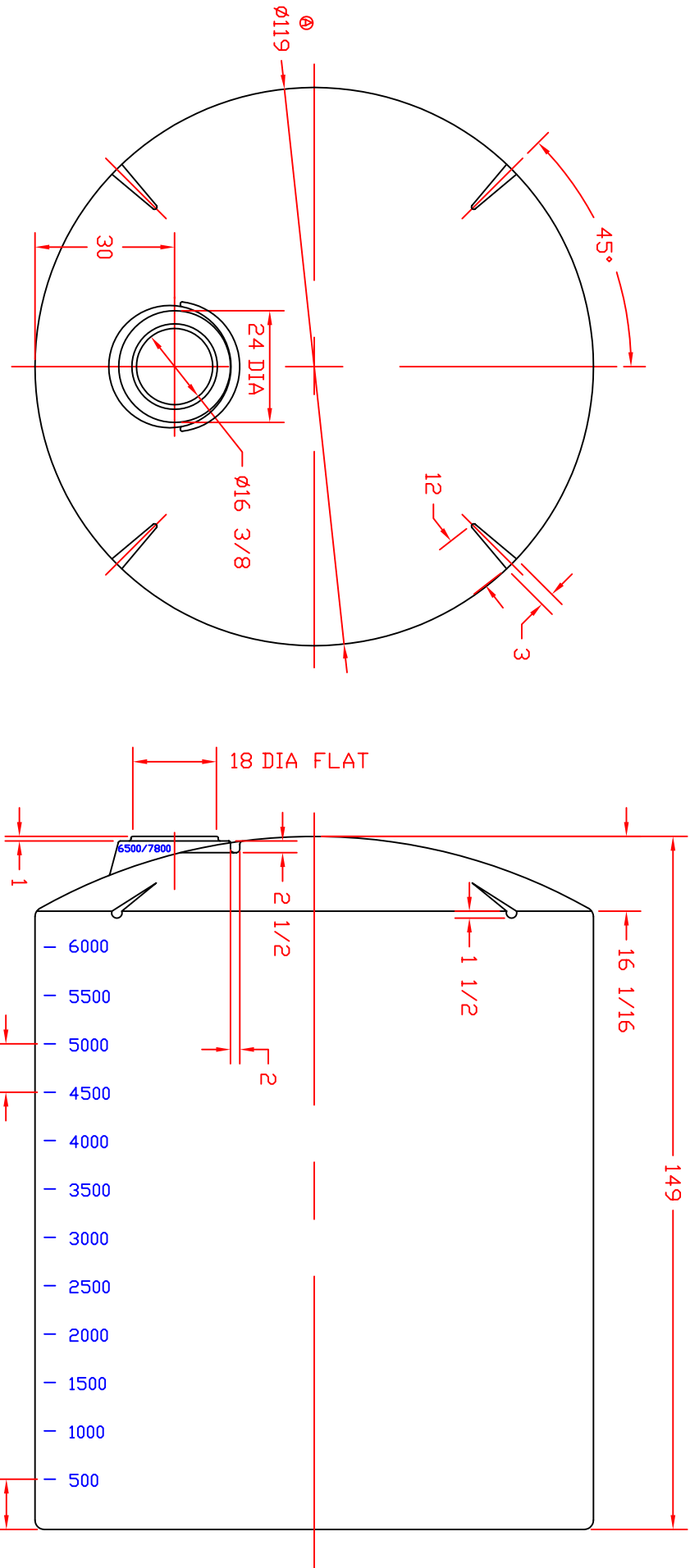


REVISIONS				
ZONE	REV	DESCRIPTION	DATE	APPROVED
A		UPDATE TO PRODUCTION		
			08SEP06	



		ST. BONIFACIUS, MN			
		6500 GALLON VERTICAL TANK			
JTP	26AUG94	SIZE	FSCM NO.	DWG NO.	REV
B		SCALE	1/24		A
			SHEET		